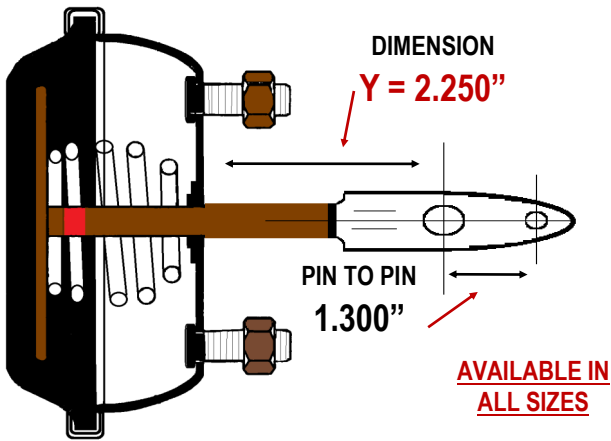
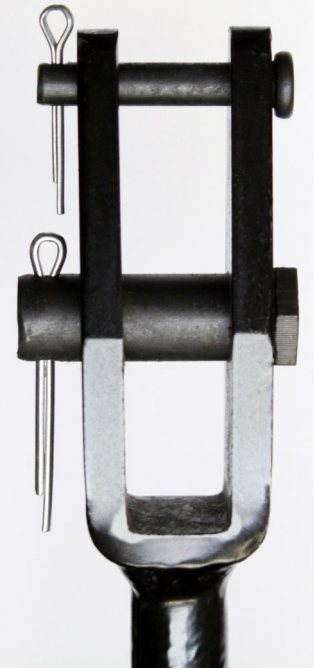


WELDED CLEVIS

Spring-Brakes and Service Chambers



PIN'S / COTTERS INCLUDED



THE RANGER **WC**-WELDED CLEVIS STYLE ACTUATOR IS UNIQUELY ENGINEERED TO DIRECTLY REPLACE THE OE, ORIGINAL EQUIPMENT **WC**-WELDED CLEVIS STYLE ACTUATORS.

WHEN ORDERING: A **WC** STYLE ACTUATOR, YOU MUST **FIRST** MEASURE THE PUSH-ROD LENGTH FROM THE SURFACE OF THE NON PRESSURE HOUSING TO THE CENTER OF THE LARGE CLEVIS PIN HOLE, WITH THE **SPRING-BRAKE FULLY CAGED**.

MOST MANUFACTURERS REFER TO THIS AS THE "Y" DIMENSION.
 [IMPORTANT] This measurement must be taken with the unit in the **CAGED** position..

ALL, OE, **WC**-WELDED CLEVIS STYLE ACTUATORS ARE DESIGNED WITH A DIFFERENT CLEVIS THAN YOUR STANDARD THREADED SCREW-ON STYLE CLEVIS.

[THEY MAY LOOK THE SAME BUT THEY ARE NOT]. BESIDES THE CLEVIS BEING WELDED TO THE PUSH-ROD, THE CLEVIS ALSO HAS DIFFERENT SPACING BETWEEN THE PIN HOLES.

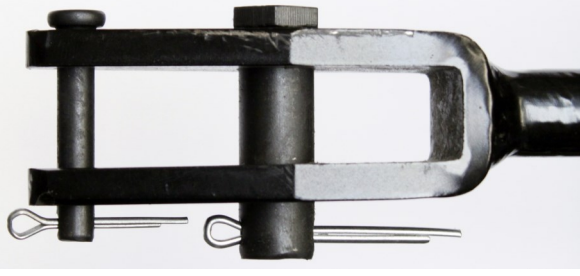
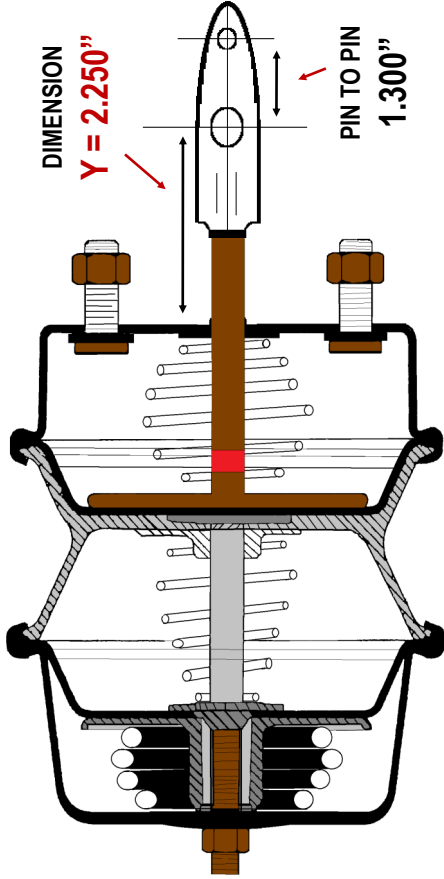
PIN TO PIN SPACING IS ALWAYS
1.300" BETWEEN THE LARGE AND SMALL CLEVIS PIN HOLES.

THIS IS NECESSARY BECAUSE THEY ARE DESIGNED TO WORK IN CONJUNCTION WITH THE NEWER AUTOMATIC SLACK ADJUSTERS THAT MANDATE THE 1.300" PIN SPACING. THE NEWER STYLE SLACK ADJUSTS THE "LINING TO DRUM" CLEARANCE IN SMALLER INCREMENTS WHICH INTERN HELPS REDUCE DRAGGING BRAKES AND PREMATURE LINING WEAR...

Program Support_ Ask for MARK
(615) 536-5020_ MARK@RANGEBRAKE.NET

RANGER BRAKE

PIN'S / COTTERS INCLUDED



WELED CLEVIS SPECIFICATION / APPLICATION / CROSS-REFERENCE

SIZE	PART NO.	HALDEX X-REF ONLY	HALDEX PART NO.	BENDIX X-REF ONLY	BENDIX PART NO.	MGM X-REF ONLY	MGM PART NO.	TSE X-REF ONLY	TSE PART NO.	STROKE	INCH	RANGER	TYPE	PRODUCT DESCRIPTION	DIMENSION	
														(GAGED) DISTANCE FROM THE SURFACE OF THE NPH TO THE CENTERLINE OF THE LARGE CLEVIS PIN HOLE		
3030	BTS3030WC-2.25	GC3030CW	LC3030CW	NT3030STD-WC	K022868	3430951	3030TNW2-2998	3030TNW2UL-2927	3030TNW2UL-2927	STD	2.500"		SPRING BRAKE	_fits NAVISTAR, VOLVO, MACK, FREIGHTLINER	2.250"	
3030	BTS3030LWC-2.25	GC3030LCW	LC3030LCW	NT3030ELS-WC	K022882	3230951	3030TNW3-2273	3030TNW3UL-2997	3030TNW3UL-2997	LONG	3.000"		SPRING BRAKE	_fits NAVISTAR, FREIGHTLINER	2.250"	
3030	BTS3030WCPS8-2.87	GC3030S6CW	LC3030S6CW			3431955	3030TNW2-3617		3030TNW2-3617	STD	2.500"		SPRING BRAKE	_fits KENWORTH, PETERBILT, PACCAR-W/5'8" CLEVIS PIN	2.870"	
3030	BTS3030LWCP58-2.87	GC3030LS6CW	LC3030LS6CW			3231954	3030TNW3-3618		3030TNW3-3618	LONG	3.000"		SPRING BRAKE	_fits KENWORTH, PETERBILT, PACCAR-W/5'8" CLEVIS PIN	2.870"	
3030	BTS3030WC-3.06					3430955				STD	2.500"		SPRING BRAKE	_fits THOMAS BUS	3.063"	
3030	BTS3030LWC-3.06					3230955				LONG	3.000"		SPRING BRAKE	_fits THOMAS BUS	3.063"	
3030	BTS3030WC-4.20					3430952				STD	2.500"		SPRING BRAKE	_fits MACK TRK	4.200"	
3030	BTS3030LWC-4.20					3233953				LONG	3.000"		SPRING BRAKE	_fits MACK TRK	4.200"	
3030	BTS3030WC-6.80	GC3030S5CW	LC3030S5CW	K067593			3030TNW2-3613	3030TNW2UL-3619	3030TNW2UL-3619	STD	2.500"		SPRING BRAKE	_fits TRAILER-SPRING SUSPENSION, INTRAA	6.800"	
3030	BTS3030LWC-6.80	GC3030LS5CW	LC3030LS5CW	K067779			3030TNW3-3615	3030TNW3UL-3621	3030TNW3UL-3621	LONG	3.000"		SPRING BRAKE	_fits TRAILER-SPRING SUSPENSION, INTRAA	6.800"	
3030	BTS3030WC-11.10	GC3030S4CW	LC3030S4CW	K067114			3030TNW2-3620		3030TNW2-3620	STD	2.500"		SPRING BRAKE	_fits TRAILER-VANTRAA, INTRAA	11.100"	
3030	BTS3030LWC-11.10	GC3030LS4CW	LC3030LS4CW	K067777			3030TNW3-3622		3030TNW3-3622	LONG	3.000"		SPRING BRAKE	_fits TRAILER-VANTRAA, INTRAA	11.100"	
3036	BTS3036LWC-2.25	GC3036LCW		K093872		3234951				LONG	3.000"		SPRING BRAKE	_fits TRACTOR / TRAILER	2.250"	
T16	BSC16WC-2.25		SC16LCW				16SCNW1			STD	2.250"		SERVICE CHAMBER	_T16, OE#	2.250"	
T16	BSC16LWC-2.25		SC20LCW				20SCCLW2			LONG	2.500"		SERVICE CHAMBER	_T16, OE#	2.250"	
T20	BSC20WC-2.25		SC20LCW	K058715		1621901				STD	2.500"		SERVICE CHAMBER	_T20, OE# 12720010	2.250"	
T20	BSC20LWC-2.25		SC20XLCW							LONG	3.000"		SERVICE CHAMBER	_T20, OE#	2.250"	
T24	BSC24WC-2.25		SC24LCW	K058691		1427901	1427902		1427902	STD	2.500"		SERVICE CHAMBER	_T24, OE#	2.250"	
T24	BSC24LWC-2.25		SC30CW	K058753		1428901	1428802		1428802	LONG	3.000"		SERVICE CHAMBER	_T24, OE#	2.250"	
T30	BSC30WC-2.25		SC30CW	K058721		1430901				STD	2.500"		SERVICE CHAMBER	_T30, OE#	2.250"	
T30	BSC30LWC-2.25		SC30LCW	K058740		1431901	30SCCLW3		30SCCLW3	LONG	3.000"		SERVICE CHAMBER	_T30, OE#	2.250"	
T36	BSC36WC-2.25						36SCCLW3		36SCCLW3	LONG	3.000"		SERVICE CHAMBER	_T36, OE#	2.250"	